

Square Drive Hydraulic Torque Wrenches

▼ From left to right: S3000, S6000, S1500



Rigid Steel Design

The *Professional* Square Drive Solution

Simplicity

- 360° click-on, multi-position reaction arm
- Push button square drive release for quickly reversing the square drive for tightening or loosening
- Fine tooth ratchet prevents tool “lock-on”
- Single 360° hydraulic swivel manifold, complete with screw lock couplings, increases wrench and hose maneuverability.

Design

- Compact, high-strength uni-body construction for a small operating radius
- Robust design with minimal parts enables easy on-site maintenance without special tools
- Lightweight, ergonomic design for easy handling and an easy fit, even in applications where access is limited
- Optimised strength-to-weight ratio
- Fast operation due to the large nut rotation per wrench cycle (35 degree rotation angle) and rapid return stroke.

Reliability

- All wrenches are nickel-plated for excellent corrosion protection and improved durability in harsh environments.

Accuracy

- Constant torque output provides high accuracy across the full stroke
- Uni-body construction ensures accuracy by reducing internal deflections.



S-Series, Square Drive Wrenches

This product range has been designed using state-of-the-art CAD techniques to bring you the most advanced square drive torque wrench on the market.

To ensure that the tools you buy meet our own exacting requirements, during the design process every prototype was put through finite element stress analysis, photo-elastic modeling, rigorous cyclic testing and strain gauging.



TSP - Pro Series Swivel

Featuring Tilt & Swivel technology the TSP provides 360° X-axis rotation and 160° Y-axis rotation.

How to Order

Order as an accessory which can be fitted to existing S-Series wrenches.

Factory fitted to new S-Series wrenches: Suffix the wrench model number with "-P" e.g.: **S1500-P**.

Page: **9**

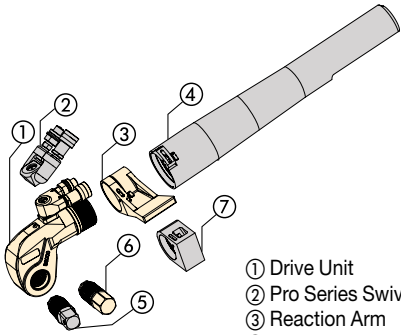


Torque Wrench Hoses

Use Enerpac THQ-700 Series torque wrench hoses with S-Series torque wrenches to ensure the integrity of your hydraulic system.

6 m long, 2 hoses	THQ-706T
12 m long, 2 hoses	THQ-712T

Double-Acting Square Drive Hydraulic Torque Wrenches



- ① Drive Unit
- ② Pro Series Swivel
- ③ Reaction Arm
- ④ Extended Reaction Arm
- ⑤ Square Drive
- ⑥ Allen Drive
- ⑦ Short Reaction Arm



Select the Right Torque

Choose your Enerpac Torque Wrench using the untightening rule of thumb: Loosening torque equals about 250% of tightening torque.

S Series



Maximum Torque at 700 bar:

34.079 Nm

Square Drive Range:

3/4 - 2 1/2 inch

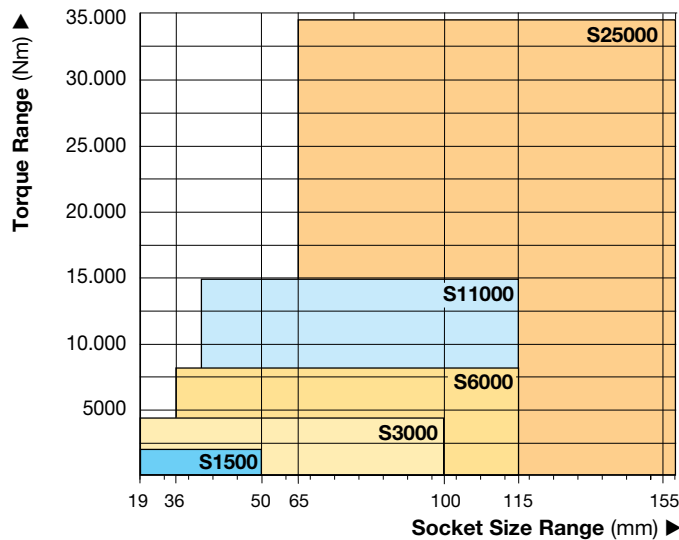
Nose Radius:

25,0 - 63,5 mm

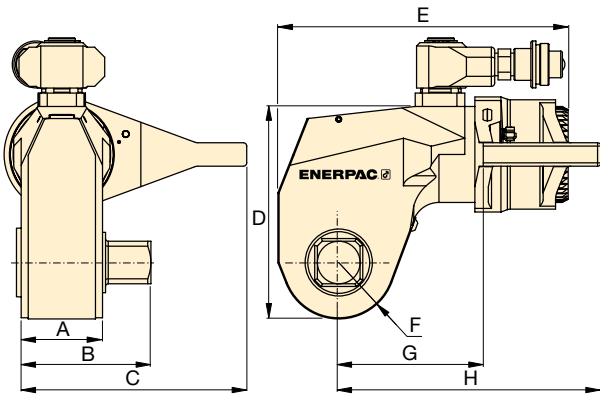
Maximum Operating Pressure:

700 bar

* TORQUE WRENCH SELECTION (based on socket size range)



* Additional socket sizes available upon request.



The rigid steel design of S-Series torque wrenches guarantee durability, reliability and safety. These wrenches can be powered by the portable ZU4T-Series pumps.





Torque Wrench and Pump Selection Matrix

For optimum speed and performance see the torque wrench and pump matrix.

Page: 28

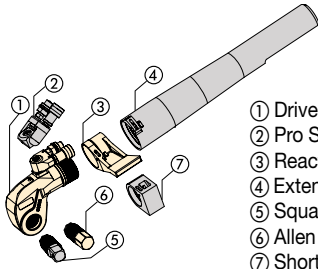


Maximum Torque at 700 bar		Square Drive		Torque Wrench Model No.	Dimensions (mm)								Weight (kg)
		Size (inch)	Model No. (included with wrench)		A	B	C	D	E	F	G	H	
Nm	(Ft.lbs)				A	B	C	D	E	F	G	H	
1898	1400	3/4"	SD15-012	S1500	39	63	110	95	136	25,0	69	119	2,7
4339	3200	1"	SD30-100	S3000	48	77	134	126	172	33,0	90	159	5,0
8144	6010	1 1/2"	SD60-108	S6000	57	90	179	162	201	42,0	112	187	8,5
14.914	11.000	1 1/2"	SD110-108	S11000	71	111	196	185	226	49,5	132	227	15,0
34.079	25.140	2 1/2"	SD250-208	S25000	87	143	244	240	292	63,5	182	292	31,0

See "Yellow Pages" section for torque conversions.

To order a S-series wrench fitted with the TSP swivel, suffix the model number with "-P". e.g., S1500-P.

SDA-Series, Allen Drives



- ① Drive Unit
- ② Pro Series Swivel
- ③ Reaction Arm
- ④ Extended Reaction Arm
- ⑤ Square Drive
- ⑥ Allen Drive
- ⑦ Short Reaction Arm

Maximum Torque at 700 bar:

34.079 Nm

Square Drive Range:

3/4 - 2 1/2 inch



Hexagon Size Allen Drive:

14 - 85 mm

For
S
Series



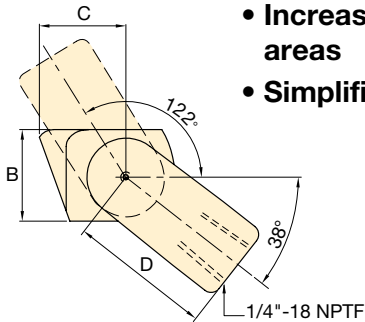
▼ SELECTION CHART

TORQUE WRENCH	OPTIONAL ALLEN DRIVES, IMPERIAL				OPTIONAL ALLEN DRIVES, METRIC				SHORT REACTION ARM FOR ALLEN DRIVES			
	Model Number	Hexagon Size (inch)	Maximum Torque (Nm)	Model Number	Dim. B1 (mm)	Hexagon Size (mm)	Maximum Torque (Nm)	Model Number	Dim. B1 (mm)	Model Number	Dimensions (mm) C1 H1	
 S1500 (1898 Nm)		1/2	481	SDA15-008	66	14	644	SDA15-14	66	 SRA15	67,5	65
		5/8	935	SDA15-010	67	17	1152	SDA15-17	68			
		3/4	1619	SDA15-012	71	19	1606	SDA15-19	70			
		7/8	1897	SDA15-014	74	22	1897	SDA15-22	73			
		1	1897	SDA15-100	77	24	1897	SDA15-24	74			
S3000 (4339 Nm)		5/8	935	SDA30-010	77	17	1152	SDA30-17	77	SRA30	80,0	74
		3/4	1619	SDA30-012	80	19	1606	SDA30-19	79			
		7/8	2568	SDA30-014	83	22	2486	SDA30-22	82			
		1	3828	SDA30-100	86	24	3232	SDA30-24	84			
		1 1/8	4336	SDA30-102	88	27	4336	SDA30-27	85			
		1 1/4	4336	SDA30-104	89	30	4336	SDA30-30	87			
		-	-	-	-	32	4336	SDA30-32	88			
S6000 (8144 Nm)		5/8	935	SDA60-010	85	17	1152	SDA60-17	86	SRA60	91,5	89
		3/4	1619	SDA60-012	89	19	1606	SDA60-19	88			
		7/8	2568	SDA60-014	92	22	2486	SDA60-22	91			
		1	3828	SDA60-100	95	24	3232	SDA60-24	93			
		1 1/8	5454	SDA60-102	97	27	4600	SDA60-27	94			
		1 1/4	7480	SDA60-104	98	30	6308	SDA60-30	96			
		-	-	-	-	32	7656	SDA60-32	97			
S11000 (14.911 Nm)		1 1/4	7480	SDA110-104	115	30	6308	SDA110-30	112	SRA110	127,5	106
		1 3/8	9953	SDA110-106	117	32	7656	SDA110-32	114			
		1 1/2	12.920	SDA110-108	118	36	10.894	SDA110-36	117			
		1 5/8	14.905	SDA110-110	122	41	14.905	SDA110-41	121			
		1 3/4	14.905	SDA110-112	125	46	14.905	SDA110-46	127			
S25000 (34.079 Nm)		1 1/2	12.920	SDA250-108	141	36	10.894	SDA250-36	140	SRA250	158,5	135
		1 5/8	16.423	SDA250-110	145	41	16.098	SDA250-41	144			
		1 3/4	20.508	SDA250-112	148	46	22.730	SDA250-46	148			
		1 7/8	25.230	SDA250-114	149	50	29.194	SDA250-50	151			
		2	30.617	SDA250-200	151	55	34.079	SDA250-55	154			
		2 1/4	34.079	SDA250-204	154	60	34.079	SDA250-60	158			
		-	-	-	-	65	34.079	SDA250-65	161			
		-	-	-	-	70	34.079	SDA250-70	164			
		-	-	-	-	75	34.079	SDA250-75	168			
		-	-	-	-	85	34.079	SDA250-85	175			

S-Series, Accessories

TSP Series

- Pro Series Swivel featuring Tilt and Swivel technology
- 360 degree X-axis and 160 degree Y-axis rotation
- 700 bar maximum working pressure
- Increases tool fit in restricted access areas
- Simplifies hose placement.



For
S
Series



Maximum Torque at 700 bar:

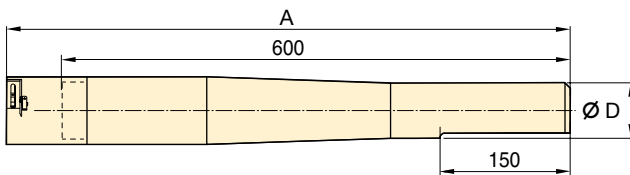
34.079 Nm

Wrench Model	Model Number	Dimensions (mm)				Weight (kg)
		A	B	C	D	
S1500, S3000	TSP100	64,0	27,0	23,0	40,5	0,2
S6000, S11000, S25000	TSP200	67,0	27,0	26,0	42,0	0,2

To order a S-series wrench fitted with the TSP swivel, suffix the model number with "-P". e.g., **S1500-P**.

RTE Series

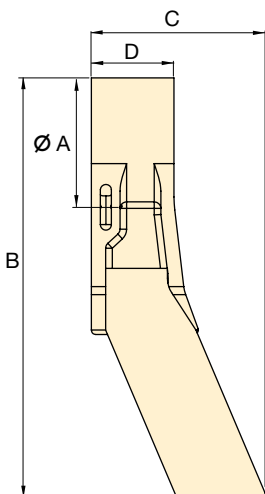
- Reaction Tube Extension
- Full torque rated
- Increases tool fit in restricted access areas.



Wrench Model	Model Number	Dimensions (mm)		Weight (kg)
		A	D	
S1500	RTE15	636,0	58,0	4,6
S3000	RTE30	647,0	57,0	5,5
S6000	RTE60	659,1	65,0	7,7
S11000	RTE110	675,1	76,0	11,2
S25000	RTE250	685,3	100,0	17,3

SRS Series

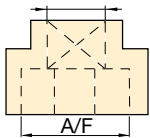
- Extended Reaction Arms
- Lightweight interchangeable design
- Can be used with Long Reach Sockets.



Wrench Model	Model Number	Dimensions (mm)				Max. Torque (Nm)	Weight (kg)
		A	B	C	D		
S1500	SRS151	57,0	141,9	49,4	37,5	1800	0,6
	SRS152		167,3			1640	0,7
	SRS153		192,7			1533	0,9
S3000	SRS301	65,3	168,0	73,3	48,0	3918	1,1
	SRS302		193,4			3712	1,3
	SRS303		218,8			3574	1,6
S6000	SRS601	79,0	205,0	99,4	58,5	7842	1,9
	SRS602		230,3			7454	2,2
	SRS603		255,7			7175	2,5
S11000	SRS1101	94,0	232,4	133	72,7	14.650	3,4
	SRS1102		257,8			13.957	4,0
	SRS1103		283,2			13.391	4,5
S25000	SRS2501	123,0	287,0	147,8	87,5	33.538	6,2
	SRS2502		312,3			32.049	7,0
	SRS2503		337,7			30.750	7,7

BSH-Series Sockets

Square Drive



- Heavy-duty impact sockets
- Supplied with "Pin and Ring"

IMPERIAL SOCKETS

3/4" Square Drive		1" Square Drive		1 1/2" Square Drive		2 1/2" Square Drive							
Model Number	A/F (inch)	Model Number	A/F (inch)	Model Number	A/F (inch)	Model Number	A/F (inch)						
BSH7519	3/4"	BSH1019	3/4"	BSH10231	2 5/16"	BSH15144	1 7/16"	BSH15281	2 13/16"	BSH25244	2 7/16"	BSH25419	4 13/16"
BSH75088	7/8"	BSH10088	7/8"	BSH10238	2 3/8"	BSH1538	1 1/2"	BSH15288	2 7/8"	BSH25250	2 1/2"	BSH25425	4 1/4"
BSH75094	15/16"	BSH10094	15/16"	BSH10244	2 7/16"	BSH15156	1 9/16"	BSH1575	2 15/16"	BSH2565	2 9/16"	BSH25110	4 5/16"
BSH7527	1 1/16"	BSH1027	1 1/16"	BSH10250	2 1/2"	BSH15163	1 5/8"	BSH15300	3"	BSH25263	2 5/8"	BSH25438	4 3/8"
BSH7530	1 3/16"	BSH1030	1 3/16"	BSH1065	2 9/16"	BSH1543	1 11/16"	BSH15306	3 1/16"	BSH25269	2 11/16"	BSH25450	4 1/2"
BSH75125	1 1/4"	BSH10125	1 1/4"	BSH10263	2 5/8"	BSH15175	1 3/4"	BSH15313	3 1/8"	BSH2570	2 3/4"	BSH25463	4 5/8"
BSH75131	1 5/16"	BSH10131	1 5/16"	BSH10269	2 11/16"	BSH1546	1 13/16"	BSH15319	3 3/16"	BSH25281	2 13/16"	BSH25475	4 3/4"
BSH7535	1 3/8"	BSH1035	1 3/8"	BSH1070	2 3/4"	BSH15188	1 7/8"	BSH15325	3 1/4"	BSH25288	2 7/8"	BSH25488	4 7/8"
BSH75144	1 7/16"	BSH10144	1 7/16"	BSH10281	2 13/16"	BSH15194	1 15/16"	BSH15338	3 3/8"	BSH2575	2 15/16"	BSH25500	5"
BSH7538	1 1/2"	BSH1038	1 1/2"	BSH10288	2 7/8"	BSH15200	2"	BSH15350	3 1/2"	BSH25300	3"	BSH25513	5 1/8"
BSH75156	1 9/16"	BSH10156	1 9/16"	BSH1075	2 15/16"	BSH15206	2 1/16"	BSH15363	3 5/8"	BSH25306	3 1/16"	BSH25519	5 3/16"
BSH75163	1 5/8"	BSH10163	1 5/8"	BSH10300	3"	BSH15213	2 1/8"	BSH1595	3 3/4"	BSH25313	3 1/8"	BSH25525	5 1/4"
BSH7543	1 11/16"	BSH1043	1 11/16"	BSH10306	3 1/16"	BSH15219	2 3/16"	BSH15388	3 7/8"	BSH25319	3 3/16"	BSH25538	5 3/8"
BSH75175	1 3/4"	BSH10175	1 3/4"	BSH10313	3 1/8"	BSH15225	2 1/4"	BSH15100	3 15/16"	BSH25325	3 1/4"	BSH25140	5 1/2"
BSH7546	1 13/16"	BSH1046	1 13/16"	BSH10319	3 3/16"	BSH15231	2 5/16"	BSH15400	4"	BSH25338	3 3/8"	BSH25575	5 3/4"
BSH75188	1 7/8"	BSH10188	1 7/8"	BSH10325	3 1/4"	BSH15238	2 3/8"	BSH15105	4 1/8"	BSH25350	3 1/2"	BSH25150	5 7/8"
BSH75194	1 15/16"	BSH10194	1 15/16"	BSH10338	3 3/8"	BSH15244	2 7/16"	BSH15419	4 3/16"	BSH25363	3 5/8"	BSH25600	6"
BSH75200	2"	BSH10200	2"	BSH10350	3 1/2"	BSH15250	2 1/2"	BSH15425	4 1/4"	BSH2595	3 3/4"	BSH25613	6 1/8"
		BSH10206	2 1/16"	BSH10363	3 5/8"	BSH1565	2 9/16"	BSH15110	4 5/16"	BSH25388	3 7/8"		
		BSH10213	2 1/8"	BSH1095	3 3/4"	BSH15263	2 5/8"	BSH15438	4 3/8"	BSH25100	3 15/16"		
		BSH10219	2 3/16"	BSH10388	3 7/8"	BSH15269	2 11/16"	BSH15450	4 1/2"	BSH25400	4"		
		BSH10225	2 1/4"			BSH1570	2 3/4"	BSH15463	4 5/8"	BSH25105	4 1/8"		

METRIC SOCKETS

3/4" Square Drive		1" Square Drive		1 1/2" Square Drive		2 1/2" Square Drive	
Model Number	A/F (mm)	Model Number	A/F (mm)	Model Number	A/F (mm)	Model Number	A/F (mm)
BSH7519	19	BSH1019	19	BSH1536	36	BSH2565	65
BSH7524	24	BSH1024	24	BSH15163	41	BSH2570	70
BSH7527	27	BSH1027	27	BSH1546	46	BSH2575	75
BSH7530	30	BSH1030	30	BSH1550	50	BSH2580	80
BSH7532	32	BSH1032	32	BSH1555	55	BSH2585	85
BSH7536	36	BSH1036	36	BSH1560	60	BSH2590	90
BSH75163	41	BSH10163	41	BSH1565	65	BSH2595	95
BSH7546	46	BSH1046	46	BSH1570	70	BSH25100	100
BSH7550	50	BSH1050	50	BSH1575	75	BSH25105	105
		BSH1055	55	BSH1580	80	BSH25110	110
		BSH1060	60	BSH1585	85	BSH25115	115
		BSH1065	65	BSH1590	90	BSH25120	120
		BSH1070	70	BSH1595	95	BSH25125	125
		BSH1075	75	BSH15100	100	BSH25135	135
		BSH1080	80	BSH15105	105	BSH25140	140
		BSH1085	85	BSH15110	110	BSH25145	145
		BSH1090	90	BSH15115	115	BSH25150	150
		BSH1095	95			BSH25155	155
		BSH10100	100				



Optional Allen Drives

Expanded versatility with a wide range of metric and imperial Allen drives.

Page: 8



Pin and Ring

All sockets are supplied with a "Pin and Ring" to hold the socket in place on the square drive of the tool.



Select the Right Torque

Choose your Enerpac Torque Wrench using the untightening rule of thumb: Loosening torque equals about 250% of tightening torque.

Bolting Application Ideas

ENERPAC professional series steel torque wrenches provide reliable controlled tightening solutions across Industry.

S3000 Square Drive Torque Wrench on Wind Tower erection and maintenance

S3000 used to connect wind tower segments during assembly and maintenance. A robust but compact solution is required for tightening of bolts on wind tower sections. Large numbers of fasteners require precise application of torque to ensure joint integrity is achieved and maintained.

The Enerpac S-Series wrench was selected as it offers simple and reliable operation while providing accurate and repeatable results.



W4000 Low Profile Torque Wrench on an ANSI Pipe Flange

Throughout the Oil and Gas, Petrochemical and Processing Industries, pipeline joints, valves, pumps and machinery present challenges for controlled bolting.

The restricted access on this pipeline elbow was easily overcome by the selection of an Enerpac W-Series Torque Wrench. A member of the professional series steel torque wrench family the W-Series Wrenches offer reliability and control ensuring even and consistent torque is applied to all bolts.

S6000 on a High Volume Pump Unit

High vibration requires long studs to be accurately tightened to the calculated preload. During maintenance quick turnaround times are essential; S Series wrenches are chosen as they provide a large angle of nut rotation per stroke, offering speed and accuracy in compact ergonomic tool.

