

Tie Rod Kits, Remote/Porting Manifolds TRK, WM, PB-series

Shown: WM-10, TRK-4, PB-1



▶ TRK-series

Tie Rod Kits mount Enerpac VP-series modular valves to the WM-10 manifold or pump mounted manifold and can accommodate one to eight VP-valve stations.

▶ WM-10

Remote manifold allows mounting of VP-series modular valves to a remote location from the pumping unit. This manifold has a built-in adjustable relief valve.

▶ PB-1

Porting manifold provides three pressure ports for auxiliary lines or accessories, such as a pressure gauge. Mounts between VP-series modular valve stations using TRK-series tie rod kits.

■ Tie rods mount VP-series valves and accessories to manifold, providing leak-free sealing.



Simplifies valve and accessory mounting

TRK-series Tie Rods

- Connects 1 to 8 VP-series valves
- Provide leak-free sealing valves
- G1/4" oil connection

WM-10 Remote manifold

- Allows remote VP-series valve mounting
- Adjustable relief valve incorporated
- G1/4" oil connection

PB-1 Porting manifold

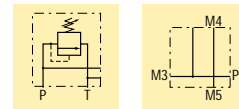
- Provide 3 auxiliary pressure lines
- G1/4" oil connection

Mounting: 1-8 VP valve stations

Pressure: 350 bar max.

Flow: 15 l/min

- Ⓔ Pernos de montaje de válv.
- Ⓕ Vis de montaje de distrib.
- Ⓖ Zugstangen



Options

Pressure switches

▶ 89



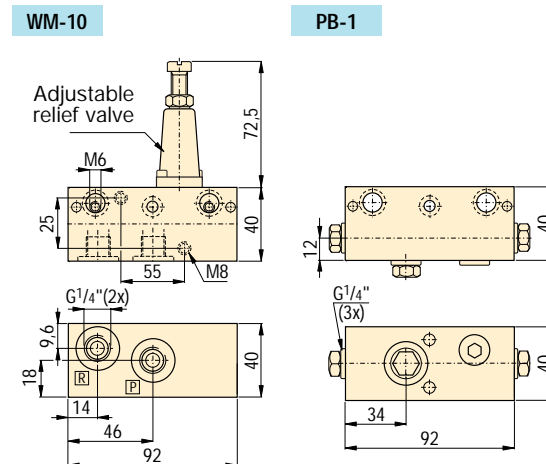
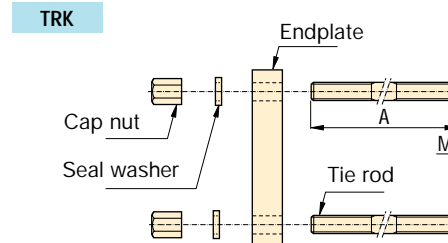
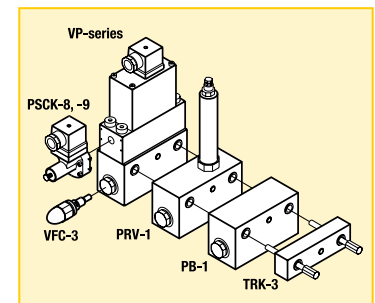
VP-series directional valves

▶ 88



Gauges

▶ 106



Product selection

Quantity of stackable VP-series directional valves	Model number	Tie rod length mm	Mounting thread mm
▼ Tie rod kits			
1	TRK-1	85	M6
2	TRK-2	125	M6
3	TRK-3	165	M6
4	TRK-4	205	M6
5	TRK-5	245	M6
6	TRK-6	285	M6
7	TRK-7	325	M6
8	TRK-8	365	M6

Product selection

Oil ports	Model number	Hydr. scheme	Maximum pressure bar
BSPB			bar
▼ Remote manifold with pressure relief			
2x G1/4"	WM-10		350
▼ Porting manifold (P port connection)			
3x G1/4"	PB-1		350